

Constant Volume Diffuser

Type RCV

Recommended for room heights from 2.6m to 4.0m.



TROX[®] TECHNIK

TROX (South Africa) (Pty) Ltd.
10 Wigford Road
Masons Mill
Pietermaritzburg

Tel. +27 (0)33 398 1006
Fax. +27 (0)33 398 1100
email : pmb@troxsa.co.za
Website: www.troxsa.co.za



Contents • Description

Contents • Description	2
Technical Dimension Data	3
Installation • Order Details	4

Description

The TROX constant volume flat plate diffusers are suitable for both comfort and industrial air conditioning applications. The diffuser is suitable for plaster board installation in suspended ceilings or fitted direct to exposed spiral ducting. The flow rate is adjustable from the diffuser face by the removal of the plastic centre cap with screw adjustment.

Materials

The diffuser body and faceplate are constructed from cold rolled black steel which are all phosphate treated and powder-coated textured white VEP 1595.

This process will provide corrosion resistance protection to the product based on a 500-hour salt-spray test. The adjustment spindle & mechanism are electro-galvanised in accordance to the South African motor industry standard TSH6500-A which provides for a 96-hour salt-spray corrosion resistance.



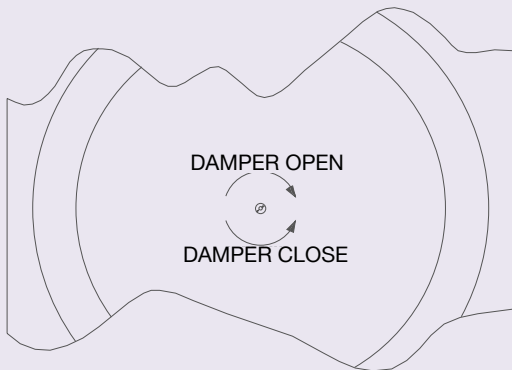
Technical Specifications

Performance Data - Size 600 RCV

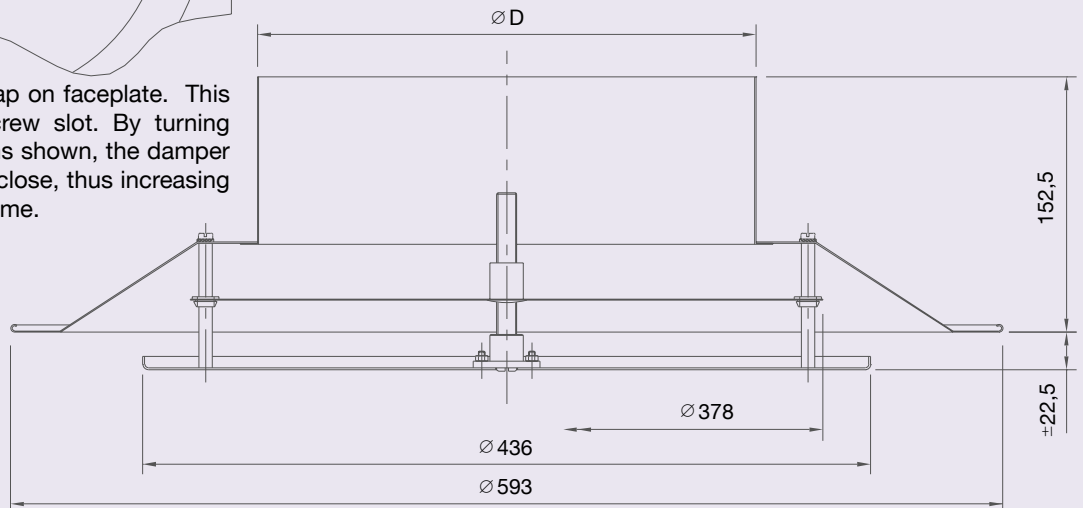
Size	Reading	Spigot Total Pressure (Pa)			
		30	50	70	90
150	FLOW RATE (l/s)	115	149	178	199
	THROW (m)	1.4	1.8	2.2	2.7
	N.C. LEVEL	-	26	30	35
175	FLOW RATE (l/s)	123	172	207	236
	THROW (m)	1.5	2.1	2.5	2.8
	N.C. LEVEL	-	30.5	34	37
200	FLOW RATE (l/s)	162	210	250	285
	THROW (m)	1.9	2.6	3	3.4
	N.C. LEVEL	23	33	37	40
250	FLOW RATE (l/s)	195	249	293	340
	THROW (m)	2	2.2	2.6	3.1
	N.C. LEVEL	29	34	38	43
300	FLOW RATE (l/s)	238	299	339	382
	THROW (m)	2.5	2.9	3.3	3.6
	N.C. LEVEL	29	34	38	43
350	FLOW RATE (l/s)	265	340	407	463
	THROW (M)	2.7	3.8	4.4	5
	N.C. LEVEL	32	34	40	45

NC levels are determined from sound power level data by deducting 8 dB from each octave band for room attenuation. Throws given are the distance from the diffuser to the point where the jet velocity is reduced to 0.5m/s with the damper in the fully open position.

Guides for Volume Control Adjustment



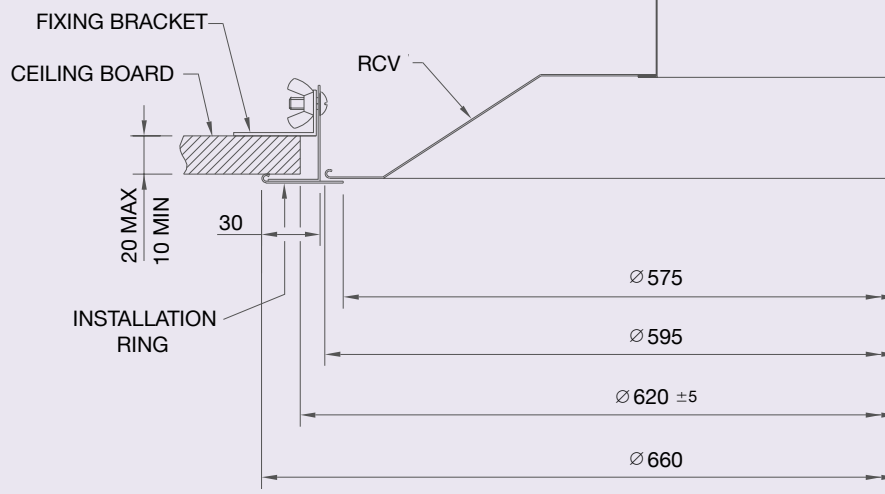
Remove centre plastic cap on faceplate. This reveals the adjusting screw slot. By turning the screw in the directions shown, the damper blade will either open or close, thus increasing or decreasing the air volume.



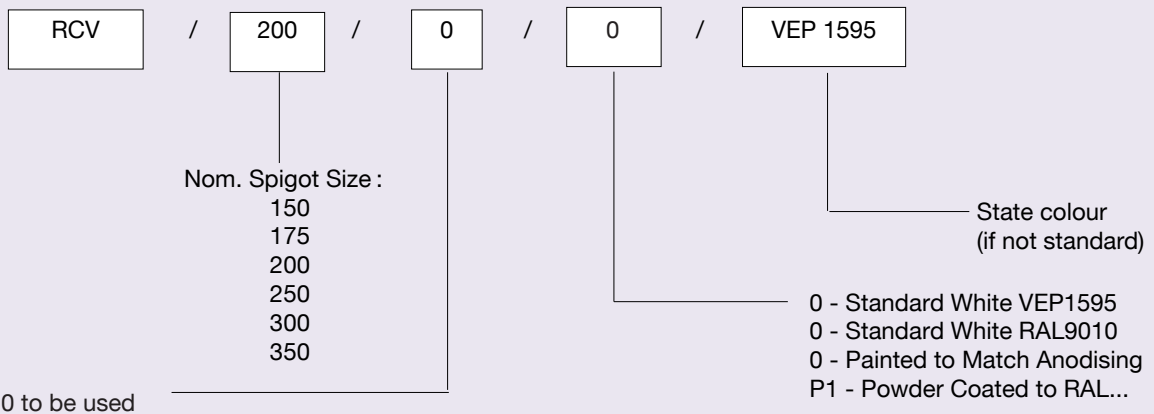
SIZE	D
600	148, 173, 198, 248, 298, 348

Installation • Order Details

Installation ring for plaster board applications



The RCV fits through the opening in the plaster board. Thus it can be placed on top of the plaster board and connected to a flexible duct. Now the installation ring can be installed by clamping the plaster board between installation ring and fixing bracket which can be easily fixed via the wing nuts. You can reach the RCV (still laying on top of the plaster board) through the opening of the installation ring and place on the ring as shown in the drawing above.



Installation Ring Separate Line

Order Example:

Make : TROX
 Type : RCV/200/0/0/VEP1595
 RCV Installation Ring Size 600